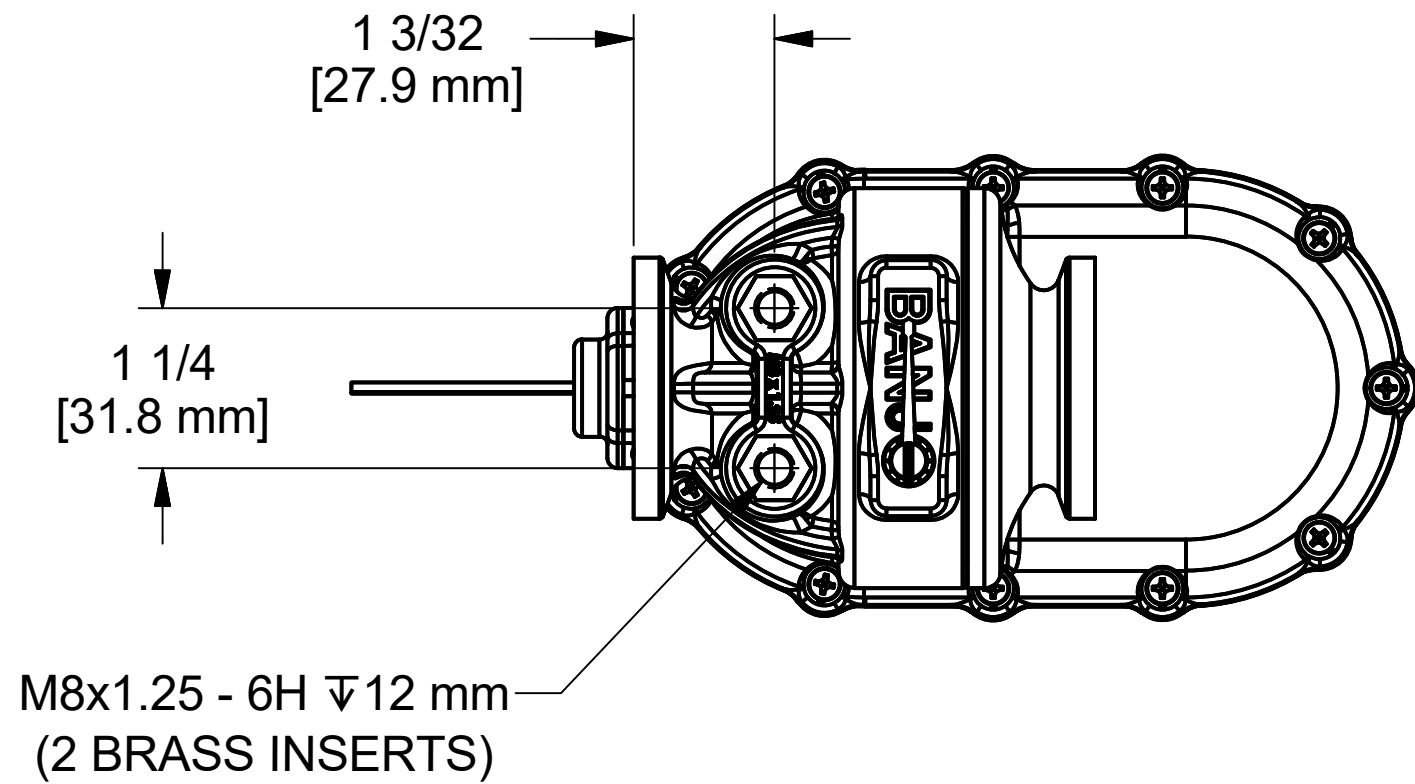
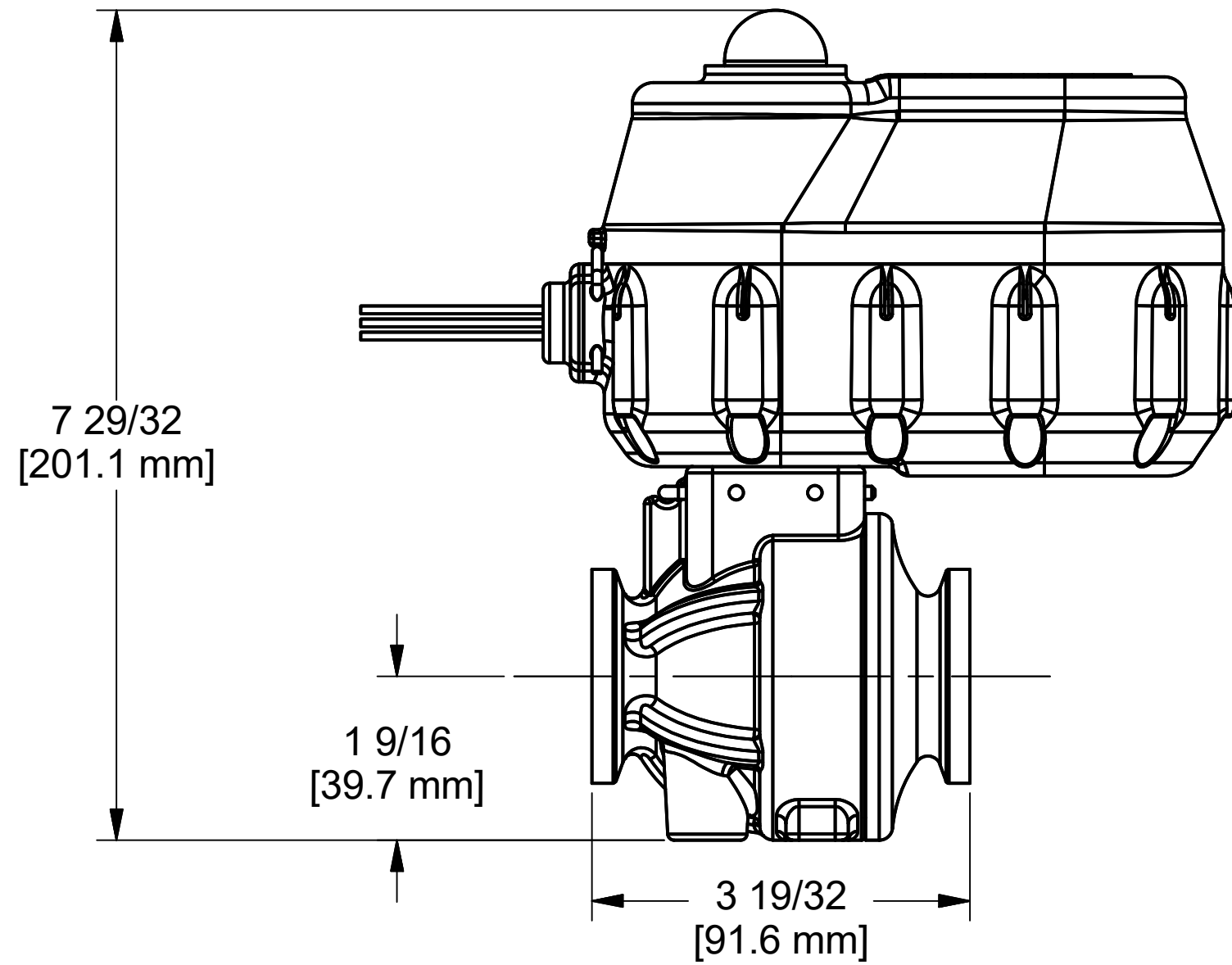
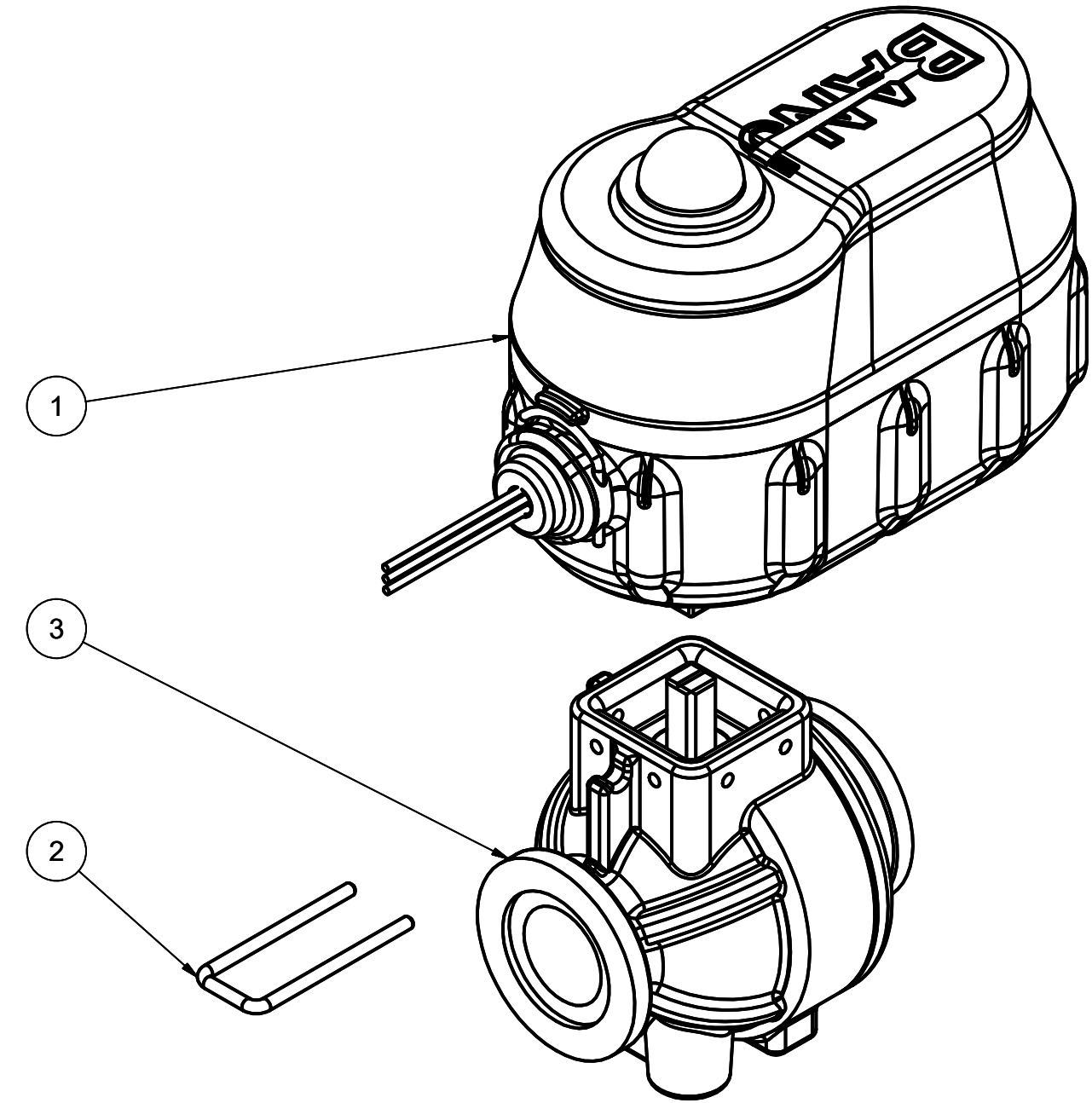
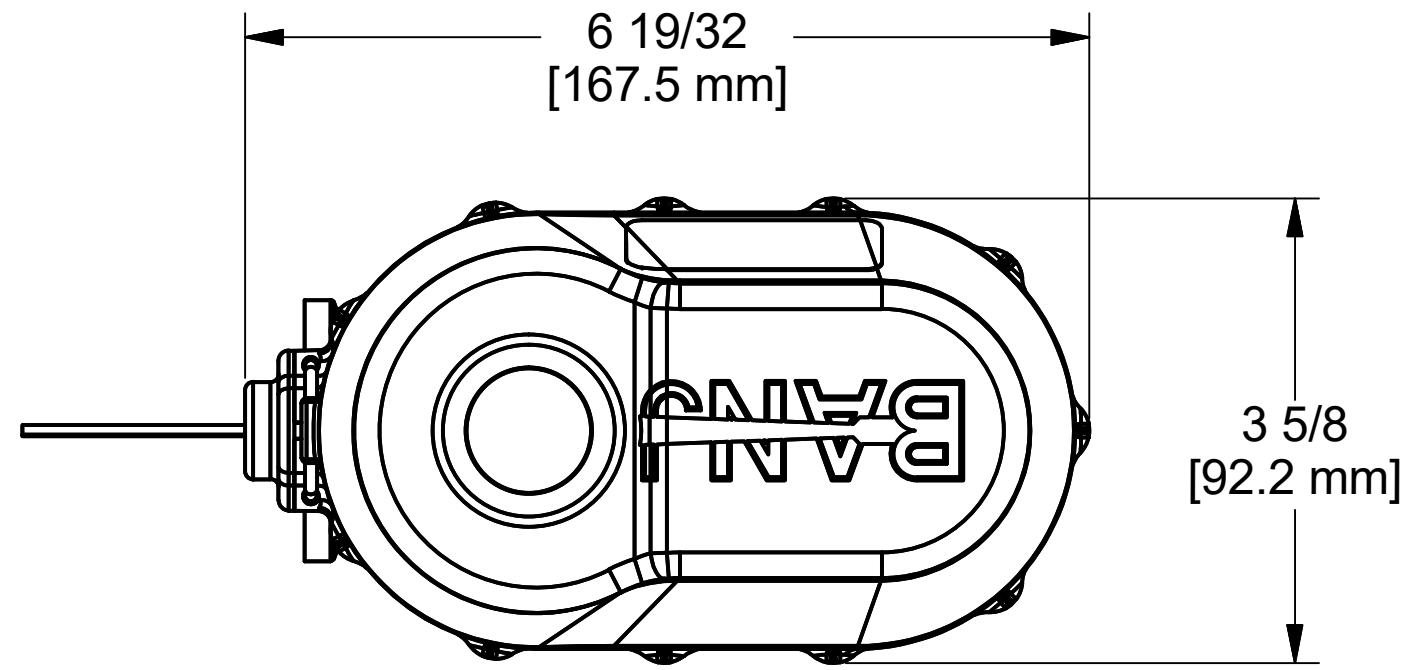


Parts List			
ITEM	QTY	PART NUMBER	DESCRIPTION
1	1	EP21A10310	EVX ACTUATOR 200 IN-LB, .75 SEC, 3WIRE
2	1	EVP20001	EV U-PIN
3	1	MEVX100HX	1" FP EV STUBBY VALVE ASSY



THIS DRAWING AND ALL INFORMATION CONTAINED THEREON ARE THE EXCLUSIVE PROPERTY OF BANJO CORPORATION.

UNLESS SPECIFICALLY NOTED, THIS DRAWING AND ITEMS SHOWN ON THIS DRAWING ARE SUBJECT TO CHANGE AT ANY TIME.

BANJO CORPORATION
150 BANJO DRIVE, CRAWFORDSVILLE, IN 47933
WEB SITE: WWW.BANJOCORP.COM
E-MAIL: BANJOSALES@IDEXCORP.COM

DESCRIPTION
EVX 1"PORT E/V 3/4SEC 3WIRE

PART NUMBER
MEVX100